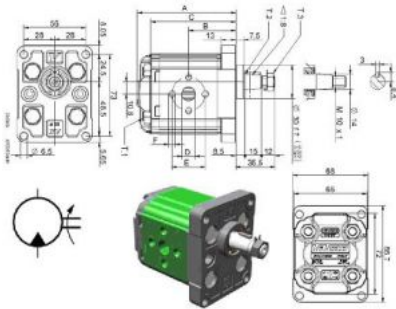


## The hydraulic drive pumps, grease and oil



max. inlet pressure  
 min. inlet pressure  
 max. back pressure  
 peak  
 revolutions / min.  
 performance / cycle  
 Minimum performance  
 Maximum performance  
 torque  
 power  
 A = 98.5 mm  
 B = 48.00 mm  
 C = 86.50 mm  
 D = O 12 (in)  
 E = 30 (in)  
 F = M6x1 (in)

D = Ø 1  
 E = 30  
 F = M6

### Name

NHDP092KW